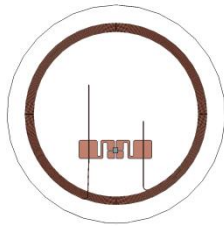


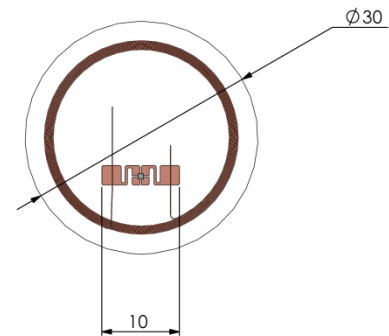
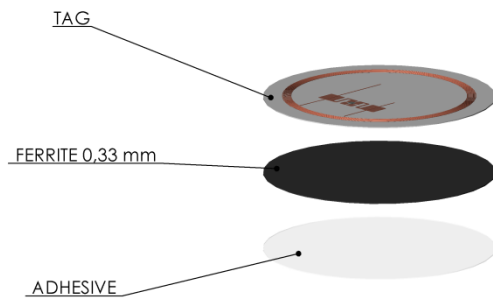
1468

smartres
Innovative RFID production



Protocol : ISO 14443/A/15693

Operating frequency : 13,56 MHz



Antenna dimensions

Packaging

Antenna size	Diam. 25 mm	Material	PET+ferrite 0,33mm
Die-cut size	Diam 30 mm	Delivery	In box
Web width		Quality	100% tested

Part N.		Iso	UID	Memory size	Data endurance	Data retention
TG361468	NXP Icode slix	15693	64bit	1024 bit	50 years	100.000 cycles
TG511468	NXP Mifare UL	14443/A	56bit	512 bit	5 years	10.000 cycles
TG531468	NXP Mifare 1k	14443/A	32bit	8192 bit	10 years	100.000 cycles
TG081468	STM SRI512	14443/B	64bit	512 bit	40 years	1.000.000 cycles
TG051468	STM SRI4K	14443/B	64bit	4096 bit	40 years	1.000.000 cycles

Smart res RFID reserves the right to change its products and services at any time without notice. Our recommendations are based on our latest knowledge and experience. As our products are used in circumstances beyond our control, we cannot be held liable for any damage caused through their use.

Smart Res SpA
41057 SPILAMBERTO (MO) ITALY – Via dei Marmorari, 84
Phone +39 059 7862701 - Fax +39 059 784615
info@smartres.eu – www.smartres.eu

